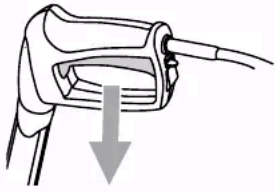
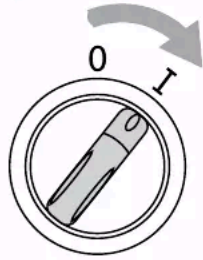


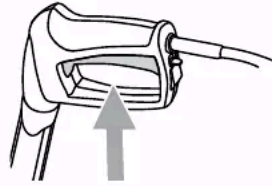
B



B1.9



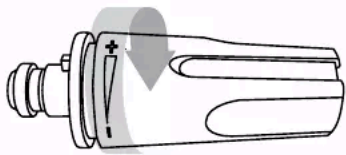
B1.10



B1.11

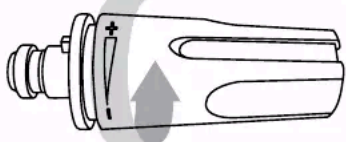


B1.12

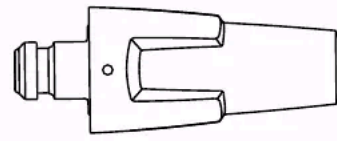


B2.1

MPa
bar



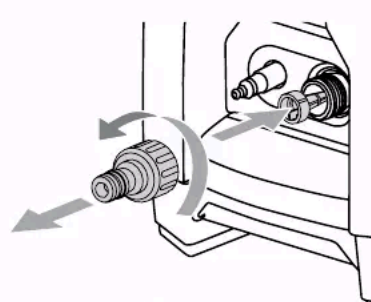
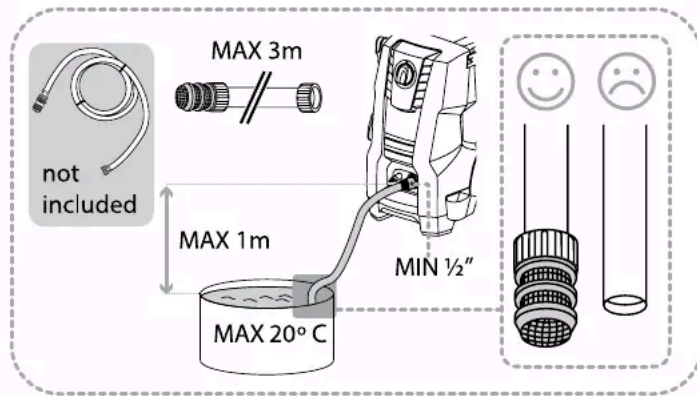
MPa
bar



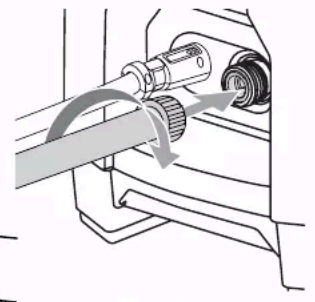
B2.2



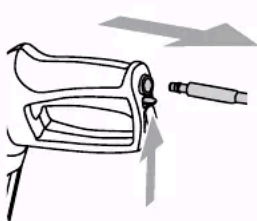
C



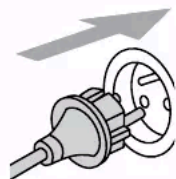
C1.1



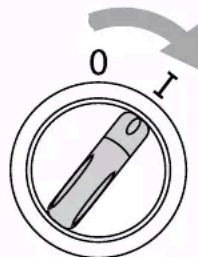
C1.2



C1.3



C1.4



C1.5



MAX 2min



C1.6